

Expo Bar

SHWBAR120



With an 8 x 10W RGBW array, the Expo Bar can be placed anywhere and provides ambience to any space easily, thanks to its built-in battery and onboard Wireless DMX control. Lightweight and IP65 rated, it's not limited to indoor events and is just as suitable for outdoor events. Predefined static colours, auto modes, and app-based control makes setup simple for anyone, whilst full pixel control enables complete control and dynamic effects to be achieved.



SYDNEY

+61 2 9748 1122

MELBOURNE

+61 3 9681 7511

PERTH

+61 8 9248 8119

BRISBANE

+61 7 3267 3177

AUCKLAND

+64 9 869 3293

SHOW
TECHNOLOGY

Expo Bar Specifications

Optical System

Lamp Source	8 x 10W RGBW LEDs
Beam Angle	15°
CCT	2500K to 10,000K

Electrical Specifications

Voltage	100 – 240V AC 50/60Hz
Input Voltage	DC 15V/5A
Max Power	65W
Power Connection	DC Charger
Signal Connection	Nil

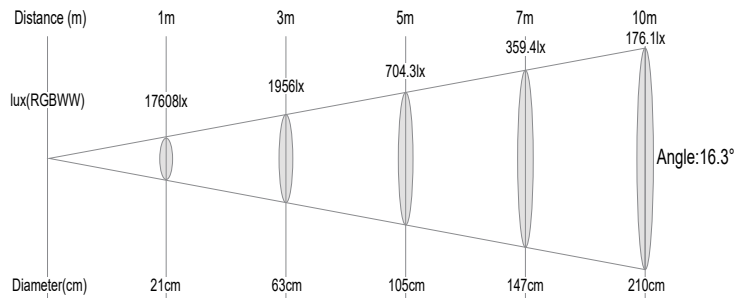
Battery

Battery	Lithium
Charge Time	≈ 4 hours
Run Time	2 to 19h
Power Connection	DC Charger

Work Environment

Ambient Temperature	-10 to 45°C
IP Rating	IP65

Photometrics



Control System

Dimmer	0 to 100% 16-bit
Control	WDMX, RDM, Bluetooth
Display	TFT Display
Personality	3/8/12/32/37ch
Cooling	Chassis cooling

Appearance

Size (LWH)	510 x 92 x 130mm
Weight	3.5kg
Casing	Aluminum body
Colour	Black

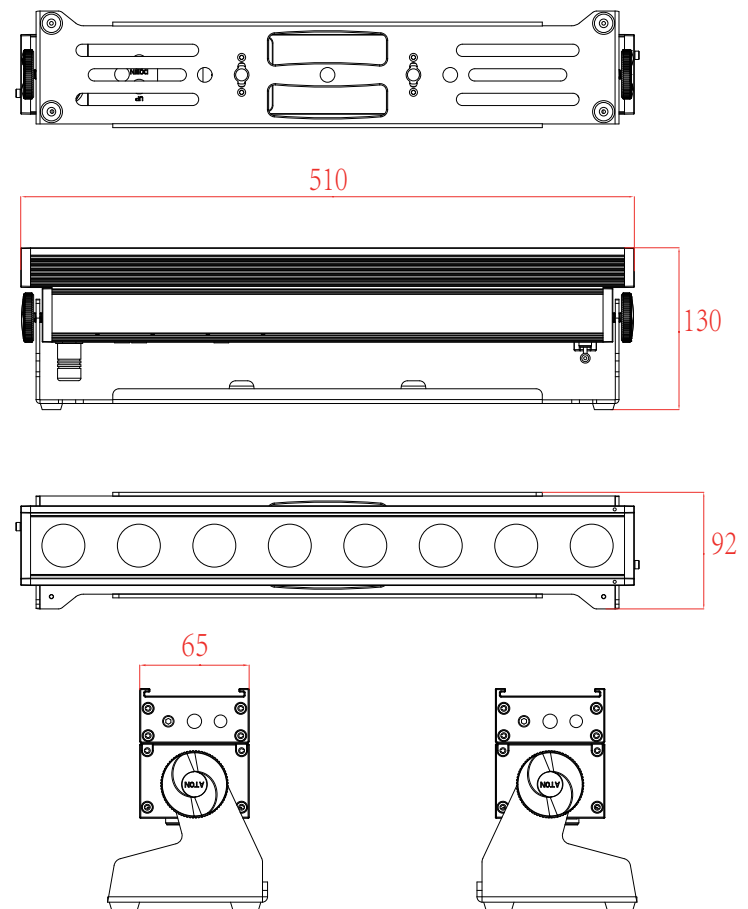
Included Accessories

- 1 x Omega Bracket
- 1 x Power Supply

Optional Accessories

SHWBAR125 Expo Bar 6 Way Flight case

Dimensions



SYDNEY
+61 2 9748 1122

MELBOURNE
+61 3 9681 7511

PERTH
+61 8 9248 8119

BRISBANE
+61 7 3267 3177

AUCKLAND
+64 9 869 3293

